

**JFW MODEL**

115-027

**IMPEDANCE**

50 Ohms nominal

**FREQUENCY RANGE**

DC-18 GHz

**VSWR**

1.15:1 maximum

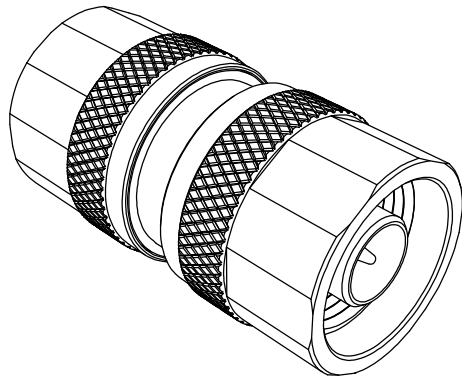
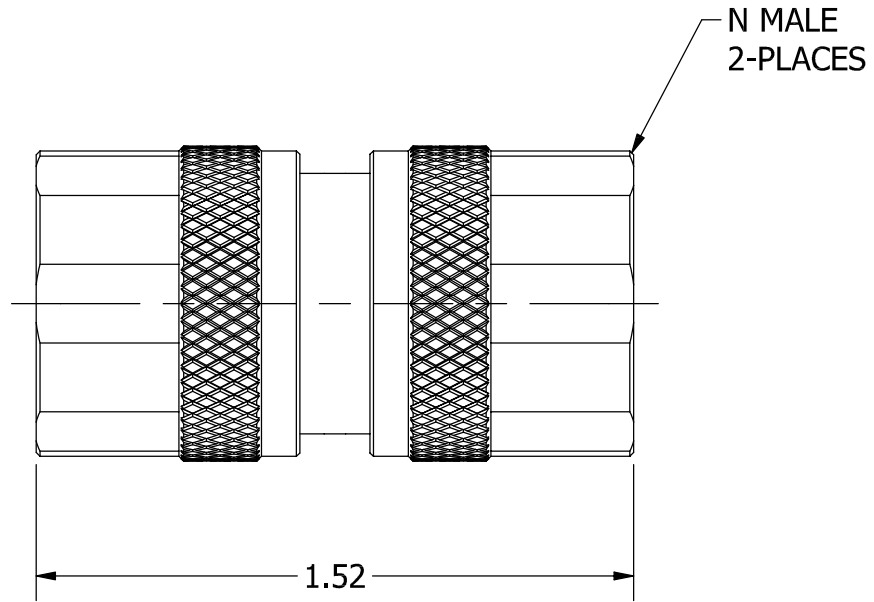
1.06:1 typical


**Connector Body**

Passivated Stainless Steel

**Connector Pins**

Gold plated



REV	ECN	DATE	BY	APPR	 <b>JFW INDUSTRIES, INC.</b> <a href="http://www.jfwindustries.com">www.jfwindustries.com</a> PH: 317-887-1340		
-	ISSUED	9-3-2024	JZ	TRS	MATERIAL	STAINLESS STEEL	PROPRIETARY INFORMATION
					FINISH	PASSIVATED	ALL SURFACES ARE TO BE FREE OF BURRS, PITS & SCRATCHES
					MODEL	115-027	TOLERANCES .XX±.010 .XXX±.005 XX°±.5°
					DESCRIPTION	RF ADAPTER N MALE / N MALE	DWG # <b>115-027</b>
						SCALE x2	