

JFW MODEL

115-050

IMPEDANCE

50 Ohms nominal

FREQUENCY RANGE

DC-4 GHz

VSWR

1.25:1 maximum

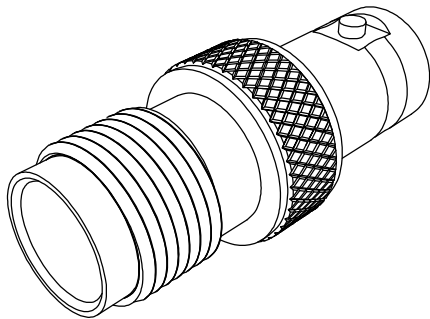
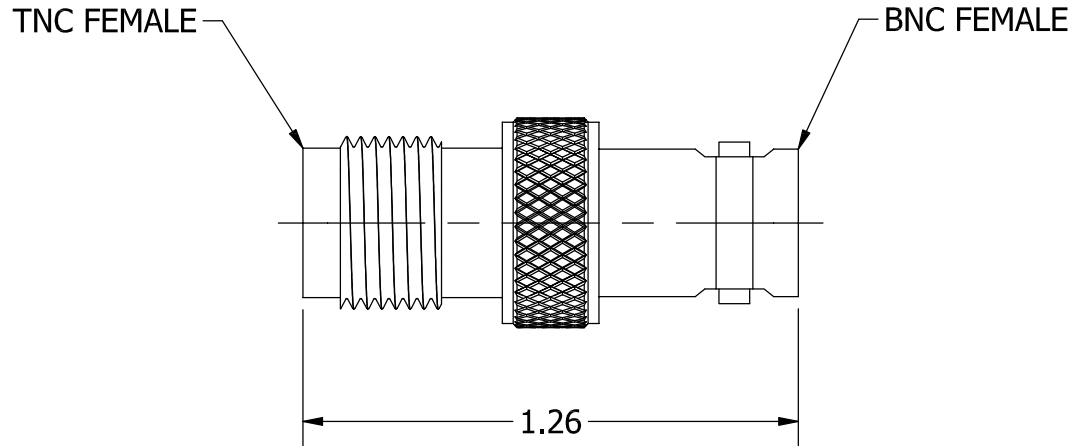
1.15:1 typical


Connector Body

Nickel plated Brass

Connector Pins

Gold plated



REV	ECN	DATE	BY	APPR	 JFW INDUSTRIES, INC.	
-	ISSUED	2-18-2025	JZ	TRS	www.jfwindustries.com	PH: 317-887-1340
					MATERIAL	BRASS
					FINISH	NICKEL
					MODEL	115-050
					DESCRIPTION	RF ADAPTER TNC FEMALE / BNC FEMALE
					SCALE	x2
					PROPRIETARY INFORMATION ALL SURFACES ARE TO BE FREE OF BURRS, PITS & SCRATCHES TOLERANCES .XX±.010 .XXX±.005 XX°±.5° DWG #	
					115-050	