

JFW MODEL

115-049

IMPEDANCE

50 Ohms nominal

FREQUENCY RANGE

DC-4 GHz

VSWR

1.25:1 maximum

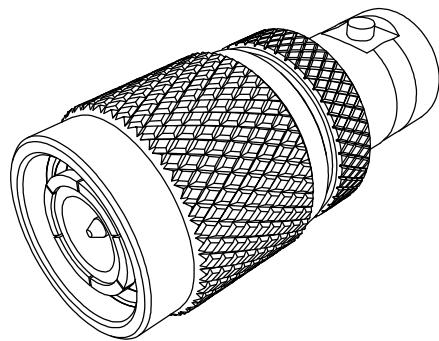
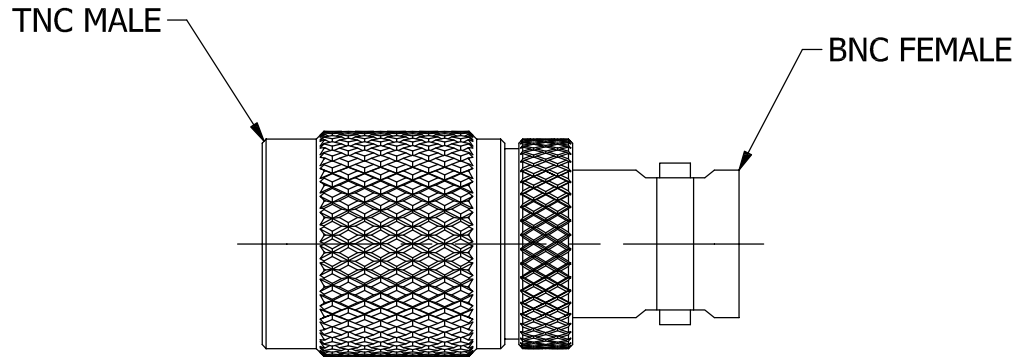
1.15:1 typical


Connector Body

Nickel plated Brass

Connector Pins

Gold plated



REV	ECN	DATE	BY	APPR	 JFW INDUSTRIES, INC.	
-	ISSUED	2-18-2025	JZ	TRS	www.jfwindustries.com	PH: 317-887-1340
					MATERIAL	BRASS
					FINISH	NICKEL
					MODEL	115-049
					DESCRIPTION	RF ADAPTER TNC MALE / BNC FEMALE
					SCALE	x2
					PROPRIETARY INFORMATION	
					ALL SURFACES ARE TO BE FREE OF BURRS, PITS & SCRATCHES	
					TOLERANCES .XX±.010 .XXX±.005 XX°±.5°	
					DWG # 115-049	