

JFW MODEL

115-044

IMPEDANCE

50 Ohms nominal

FREQUENCY RANGE

DC-6 GHz

VSWR

1.2:1 maximum

1.1:1 typical

Connector Body

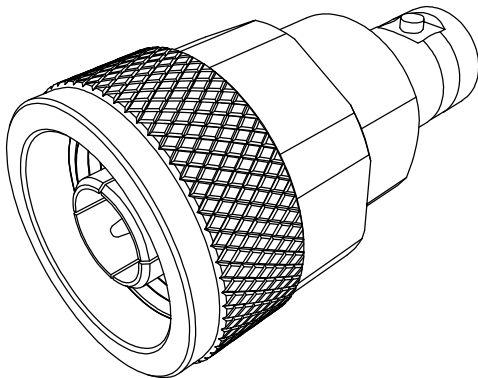
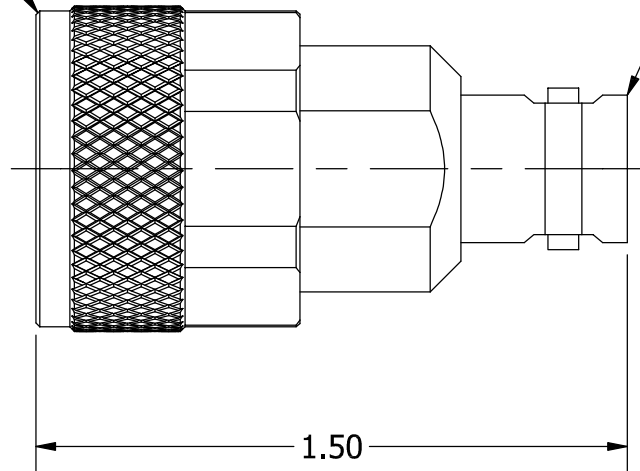
Passivated Stainless Steel

Connector Pins


Gold plated

N MALE

BNC FEMALE



REV	ECN	DATE	BY	APPR
-	ISSUED	2-18-2025	JZ	TRS

		JFW INDUSTRIES, INC.	
		www.jfwindustries.com PH: 317-887-1340	
MATERIAL		STAINLESS STEEL	
FINISH		PASSIVATED	
MODEL		115-044	
DESCRIPTION		RF ADAPTER N MALE / BNC FEMALE	
SCALE		x2	
TOLERANCES		.XX±.010 .XXX±.005 XX°±.5°	
DWG #		115-044	
PROPRIETARY INFORMATION		ALL SURFACES ARE TO BE FREE OF BURRS, PITS & SCRATCHES	