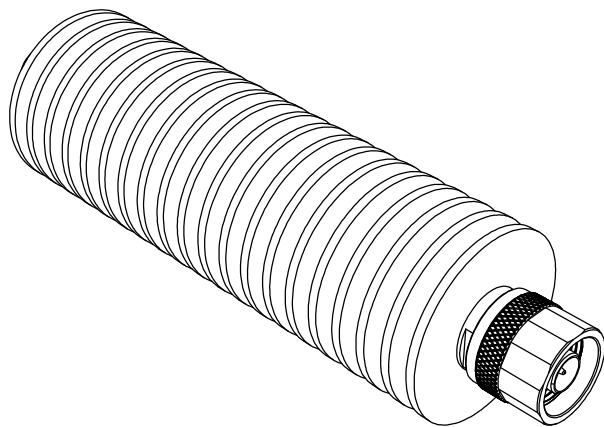
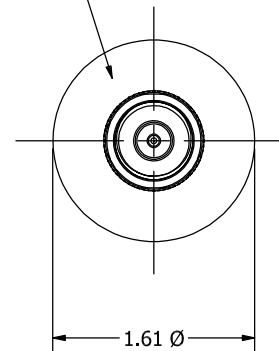



BOTH ENDS TO BE MARKED PER MODEL



REV	ECN	DATE	BY	APPR		
-	ISSUED	2-27-2025	GM	TRS		
					 <b>JFW INDUSTRIES, INC.</b> www.jfwindustries.com PH: 317-887-1340	
					MATERIAL	BODY: ALUMINUM / CONNECTOR: BRASS PROPRIETARY INFORMATION
					FINISH	BODY: BLACK ANODIZE / CONNECTOR: TRI-METAL ALLOY ALL SURFACES ARE TO BE FREE OF BURRS, PITS & SCRATCHES
					MODEL	50HFFT-XXX-50/XX SCALE FULL TOLERANCES .XX±.010 .XXX±.005 XX°±.5°
					DESCRIPTION	50 WATT FIXED ATTENUATOR DWG # 092-10432-01