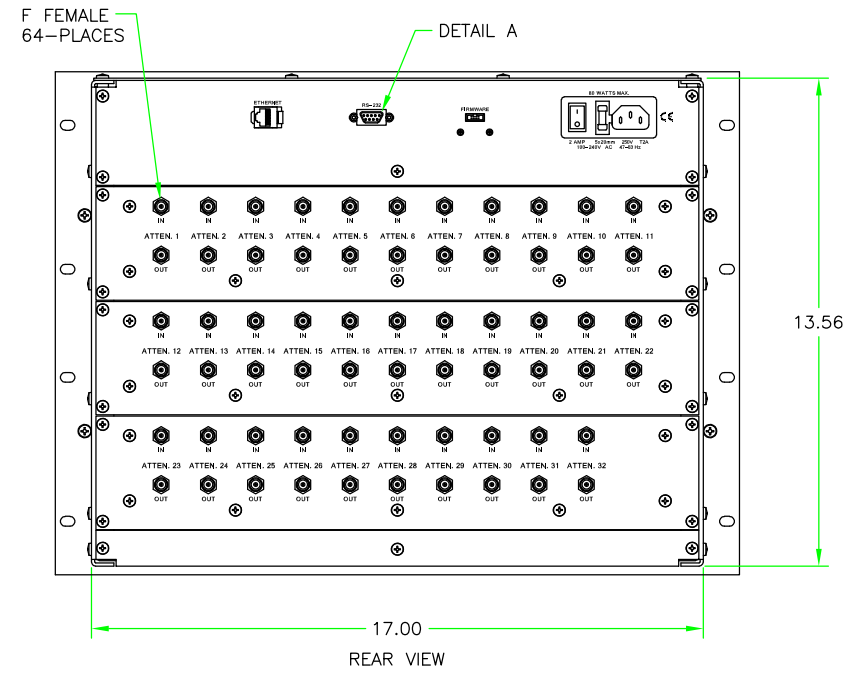
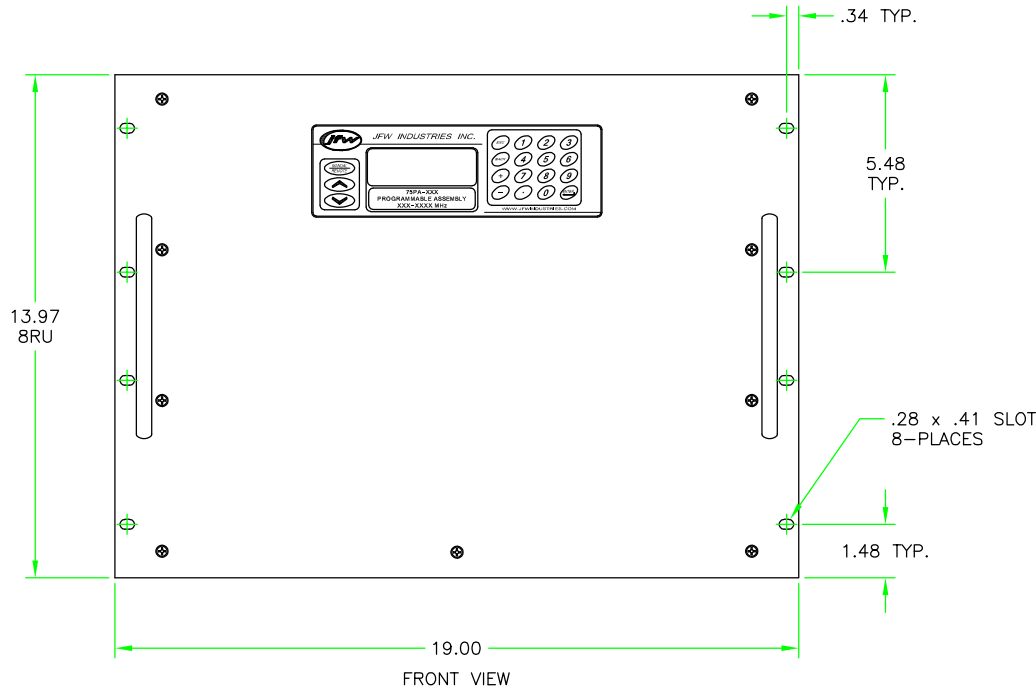


PIN	FUNCTION
1	CHASSIS GROUND
2	RECEIVED DATA
3	TRANSMITTED DATA
4	NO CONNECTION
5	SIGNAL GROUND
6	NO CONNECTION
7	RTS
8	CTS
9	NO CONNECTION



CHASSIS DEPTH = 21.47

REV	ECN	DATE	BY	APPR	JFW INDUSTRIES, INC.	
-	ISSUED	10-21-2024	JZ	TRG	www.jfwindustries.com PH: 317-887-1340	
MATERIAL					ALUMINUM ALLOY	PROPRIETARY INFORMATION
FINISH					CHEMFILM TCP / FRONT: BLACK	ALL SURFACES ARE TO BE FREE OF BURRS, PITS, & SCRATCHES
MODEL					75PA-XXX	TOLERANCES SCALE 3/8 XX±.010 XXX±.005 YC±.5'
DESCRIPTION					32 ATTENUATOR ASSEMBLY	DWG # 092-10368