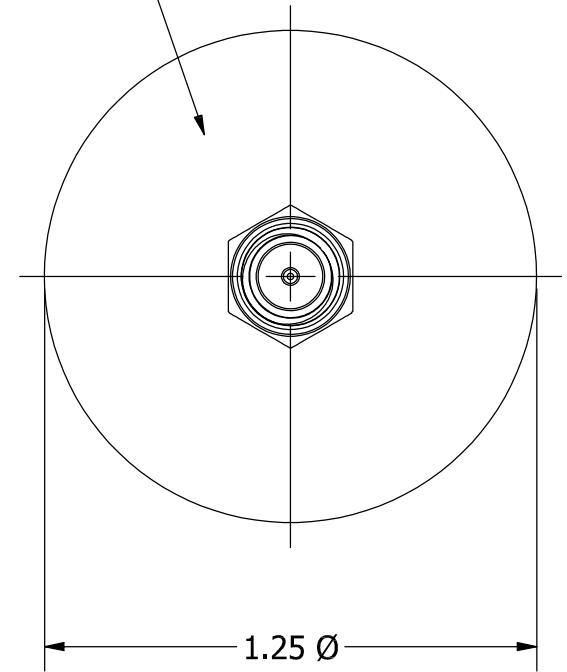
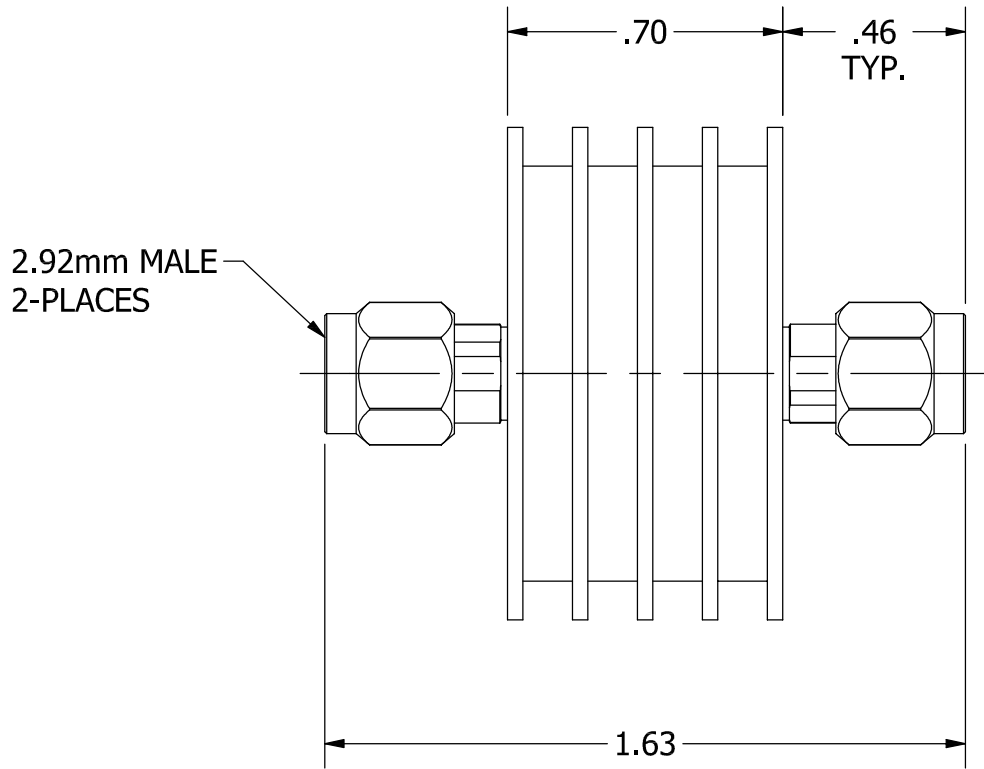
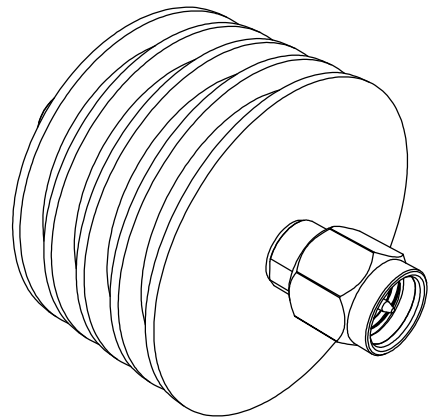


THIS END TO BE MARKED PER MODEL



2.92mm MALE  
2-PLACES



REV	ECN	DATE	BY	APPR
-	ISSUED	8-12-2024	JZ	JZ



**JFW INDUSTRIES, INC.**

[www.jfwindustries.com](http://www.jfwindustries.com)

PH: 317-887-1340

MATERIAL	BODY: ALUMINUM / CONNECTOR: STEEL	PROPRIETARY INFORMATION
FINISH	BODY: BLACK ANODIZE / CONNECTOR: PASSIVATED	ALL SURFACES ARE TO BE FREE OF BURRS, PITS & SCRATCHES
MODEL	50HFFB-XXX-10/40 2.9MM M/M	TOLERANCES .XX±.010 .XXX±.005 XX°±.5°
DESCRIPTION	10 WATT FIXED ATTENUATOR	DWG # 092-10335-02
SCALE	x2	