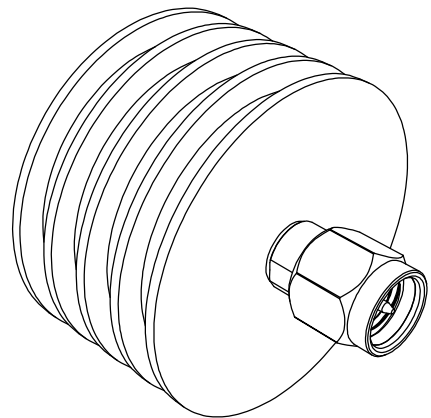
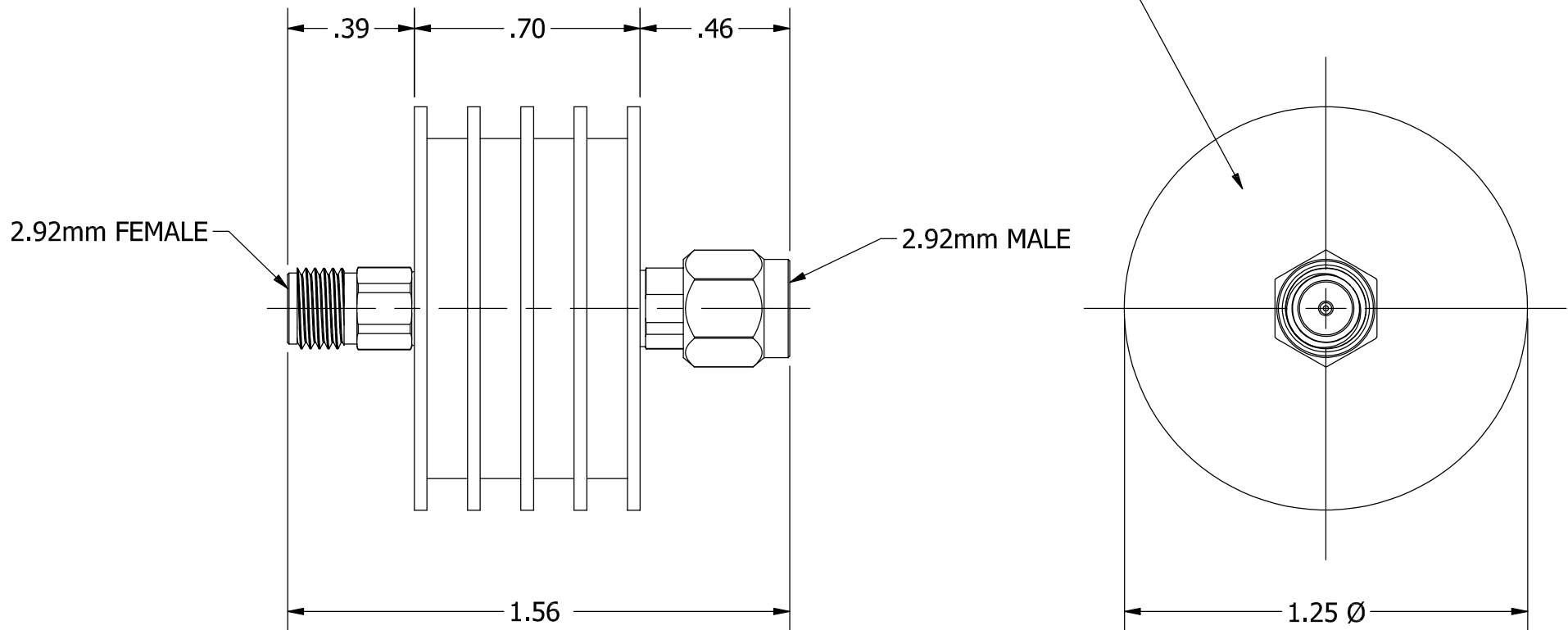


THIS END TO BE MARKED PER MODEL



REV	ECN	DATE	BY	APPR
-	ISSUED	10-3-2023	GM	JZ



JFW INDUSTRIES, INC.
www.jfwindustries.com PH: 317-887-1340

MATERIAL	BODY: ALUMINUM / CONNECTOR: STEEL	PROPRIETARY INFORMATION
FINISH	BODY: BLACK ANODIZE / CONNECTOR: PASSIVATED	ALL SURFACES ARE TO BE FREE OF BURRS, PITS & SCRATCHES
MODEL	50HFFB-XXX-10/40 2.9MM	TOLERANCES .XX±.010 .XXX±.005 XX°±.5°
DESCRIPTION	10 WATT FIXED ATTENUATOR	DWG # 092-10335-01