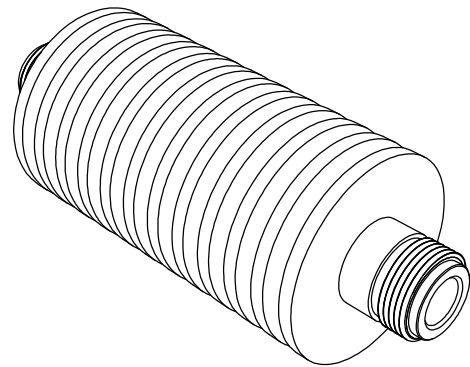
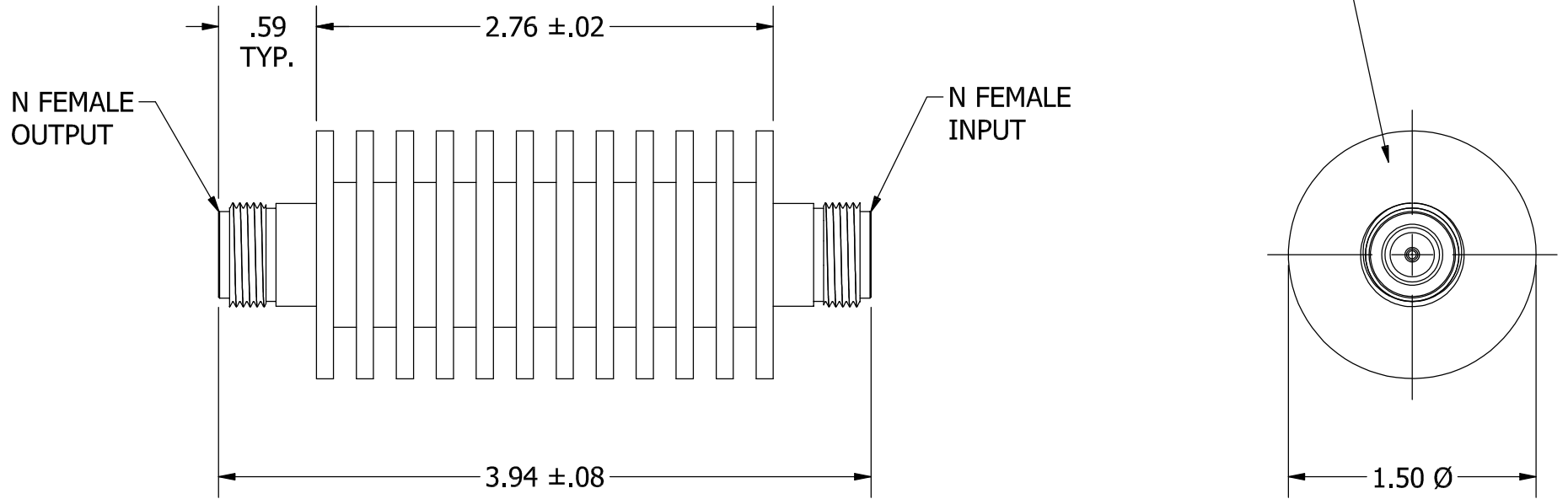



BOTH ENDS TO BE MARKED PER MODEL



REV	ECN	DATE	BY	APPR
-	ISSUED	10-14-2024	GM	JZ

		JFW INDUSTRIES, INC.	
		www.jfwindustries.com	
MATERIAL BODY: ALUMINUM / CONNECTOR: BRASS		PROPRIETARY INFORMATION	
FINISH BODY: BLACK ANODIZE / CONNECTOR: TRI-METAL ALLOY		ALL SURFACES ARE TO BE FREE OF BURRS, PITS & SCRATCHES	
MODEL 50HFFA-XXX-30/18N F/F		SCALE FULL	TOLERANCES .XX±.010 .XXX±.005 XX°±.5°
DESCRIPTION 30 WATT FIXED ATTENUATOR			DWG # 092-10144-02

PH: 317-887-1340