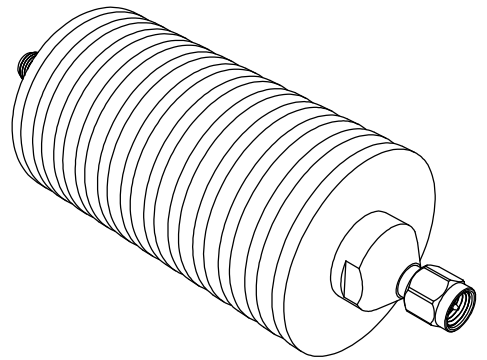
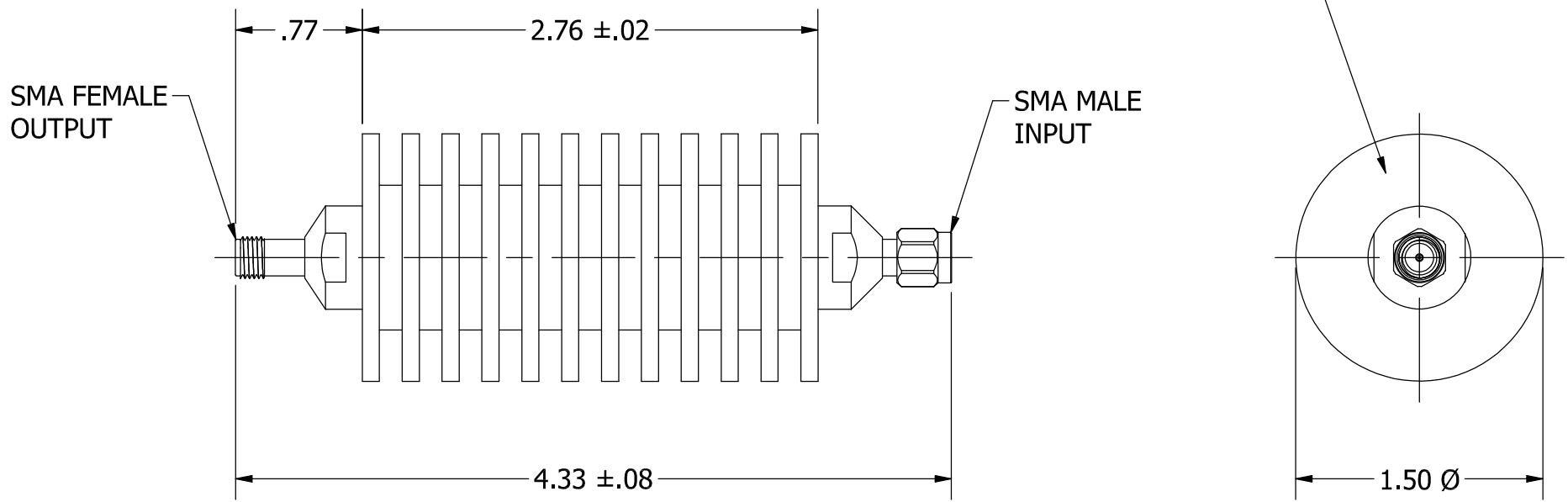



BOTH ENDS TO BE MARKED PER MODEL



REV	ECN	DATE	BY	APPR
-	ISSUED	9-6-2023	JZ	TRS
A	32900	10-4-2023	GM	JZ

		<h1>JFW INDUSTRIES, INC.</h1>	
		<p>www.jfwindustries.com PH: 317-887-1340</p>	
MATERIAL		BODY: ALUMINUM / CONNECTOR: BRASS	
FINISH		BODY: BLACK ANODIZE / CONNECTOR: TRI-METAL ALLOY	
MODEL		50HFFA-XXX-30/18SMA	
DESCRIPTION		30 WATT FIXED ATTENUATOR	
SCALE		FULL	
TOLERANCES		.XX±.010 .XXX±.005 XX°±.5°	
DWG #		092-10144-01	
PROPRIETARY INFORMATION		ALL SURFACES ARE TO BE FREE OF BURRS, PITS & SCRATCHES	