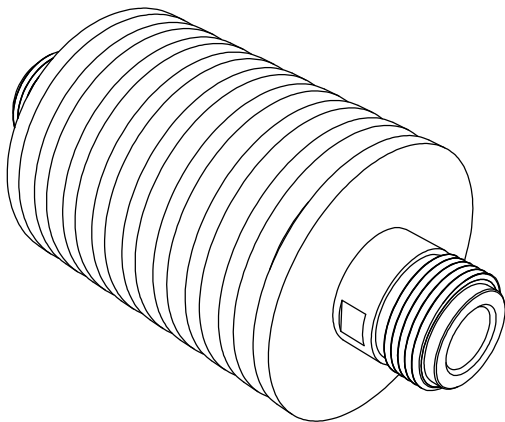
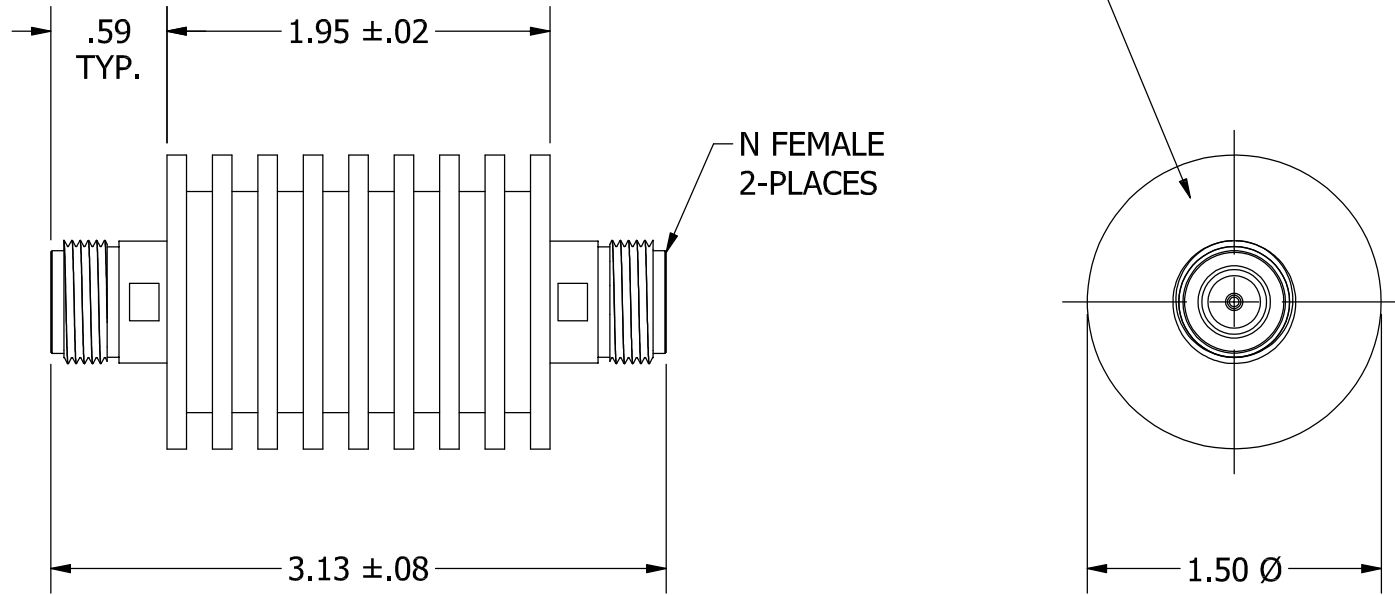


THIS END TO BE MARKED PER MODEL



REV	ECN	DATE	BY	APPR
-	ISSUED	10-16-2024	JZ	TRS



**JFW INDUSTRIES, INC.**

[www.jfwindustries.com](http://www.jfwindustries.com)

PH: 317-887-1340

MATERIAL	BODY: ALUMINUM / CONNECTOR: BRASS	PROPRIETARY INFORMATION
FINISH	BODY: BLACK ANODIZE / CONNECTOR: TRI-METAL ALLOY	ALL SURFACES ARE TO BE FREE OF BURRS, PITS & SCRATCHES
MODEL	50HFFA-XXX-20/XN F/F	TOLERANCES .XX±.010 .XXX±.005 XX°±.5°
DESCRIPTION	20 WATT FIXED ATTENUATOR	DWG # 092-10143-04