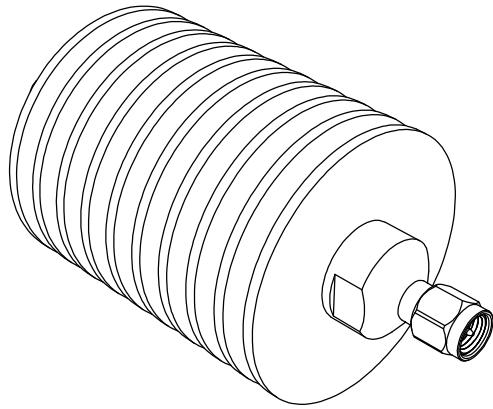
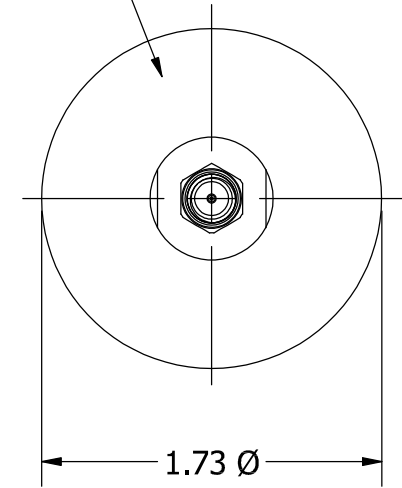
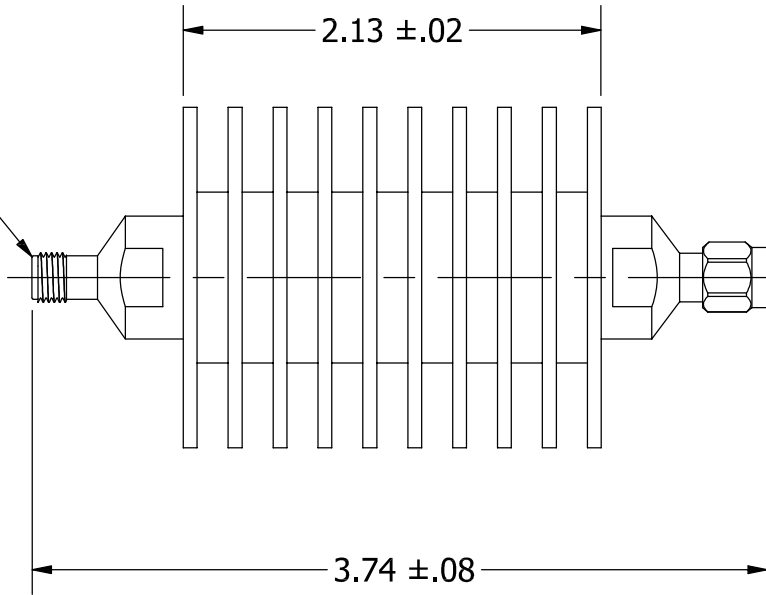


THIS END TO BE MARKED PER MODEL

SMA FEMALE

SMA MALE



| REV | ECN | DATE | BY | APPR |
|-----|--------|-----------|----|------|
| - | ISSUED | 9-6-2023 | GM | JZ |
| A | 32900 | 10-4-2023 | GM | JZ |
| B | 33153 | 2-5-2024 | JZ | JZ |
| | | | | |
| | | | | |
| | | | | |
| | | | | |
| | | | | |
| | | | | |



JFW INDUSTRIES, INC.

www.jfwindustries.com

PH: 317-887-1340

| | | |
|-------------|--|--|
| MATERIAL | BODY: ALUMINUM / CONNECTOR: BRASS | PROPRIETARY INFORMATION |
| FINISH | BODY: BLACK ANODIZE / CONNECTOR: TRI-METAL ALLOY | ALL SURFACES ARE TO BE FREE OF BURRS, PITS & SCRATCHES |
| MODEL | 50HFFA-XXX-25/18SMA | TOLERANCES .XX \pm .010 .XXX \pm .005 XX $^{\circ}$ \pm .5 $^{\circ}$ |
| DESCRIPTION | 25 WATT FIXED ATTENUATOR | DWG # 092-10106-01 |
| | | |
| | | |
| | | |
| | | |